

**INTRIX®**

**One Tap**

Instant Boiling Water Tap



Read this user manual carefully before you use the appliance and save it for future reference.

Do not switch on power when the tank is empty.

Do not switch on power before and during flushing.

Flush the unit for 5 minutes before switching on the power.

Never immerse the appliance in water or any other liquid, nor rinse it under the tap.

# **INTRIX One Tap 4-in-1 User Manual**

Please read this manual before use

Product Code:

40D2P34XX (Chrome)

4BD2P35XX (Matte Black)

4DD2P36XX (Satin Gold)

4ED2P37XX (Gun Metal)

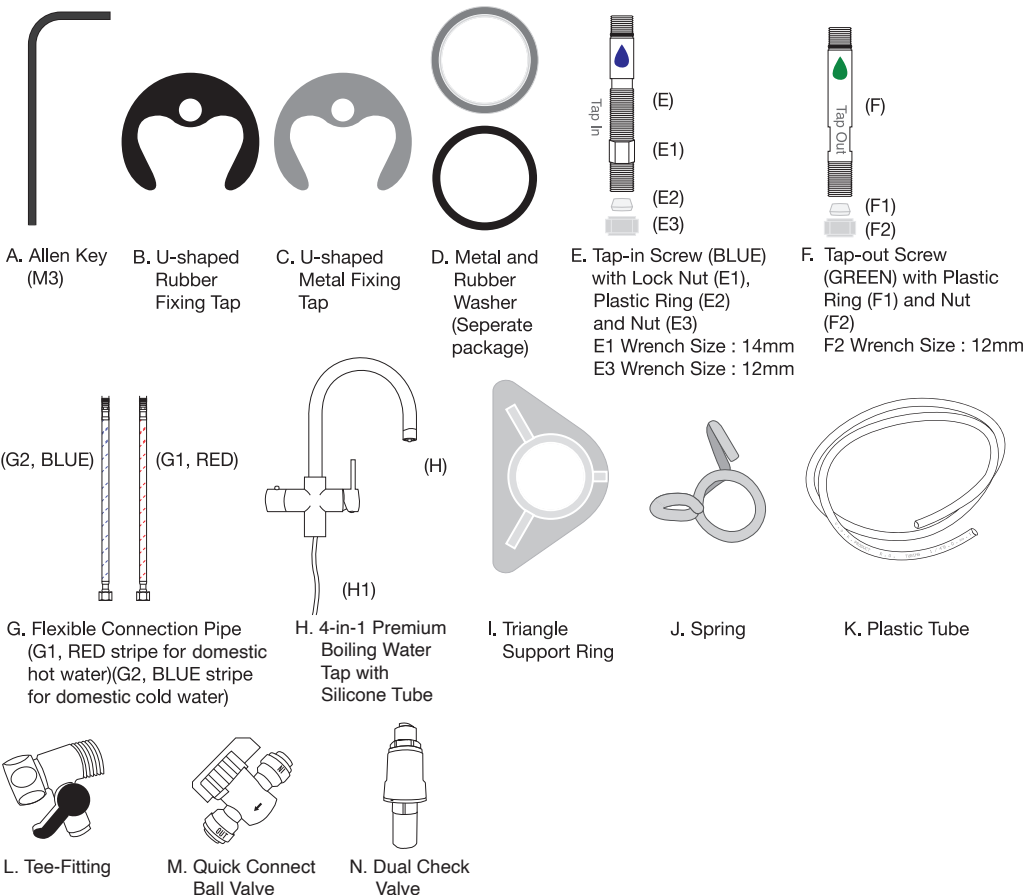


## TABLE OF CONTENTS

<b>INSTALLATION GUIDE</b>	
Contents of the Pack	Pg 1
Assemble Boiling Tap	Pg 1 - 3
How to Use	Pg 4 - 5

# INSTALLATION GUIDE

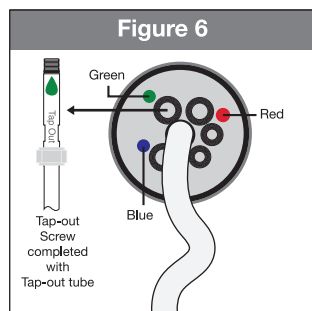
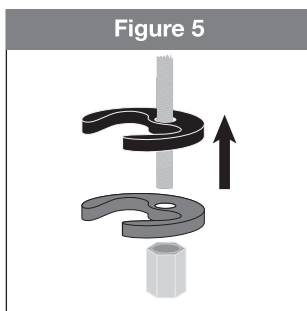
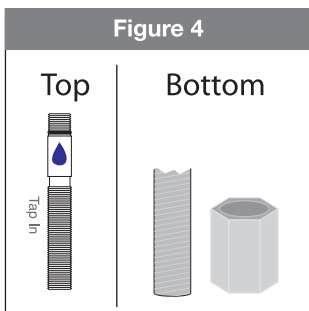
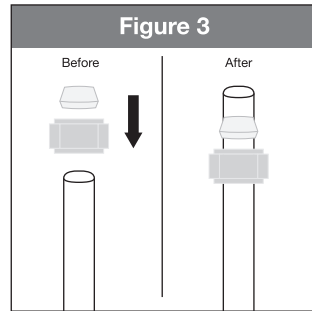
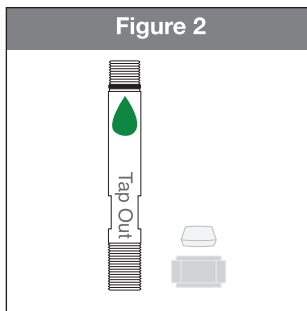
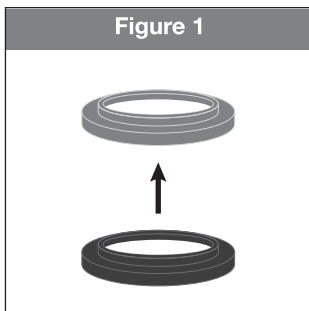
## Content of the Pack

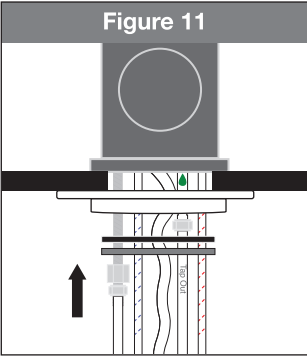
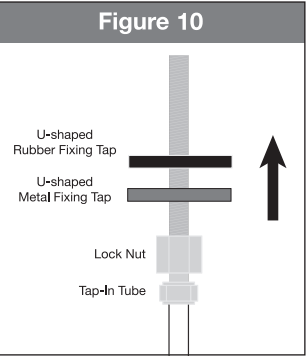
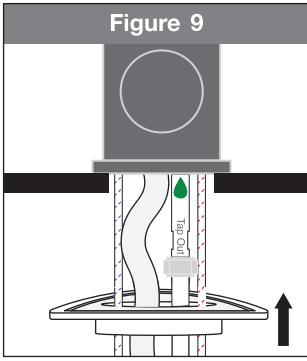
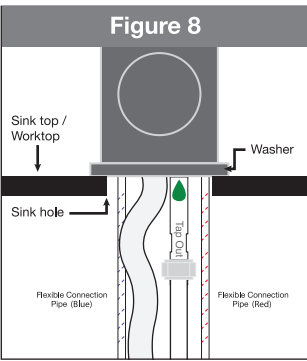
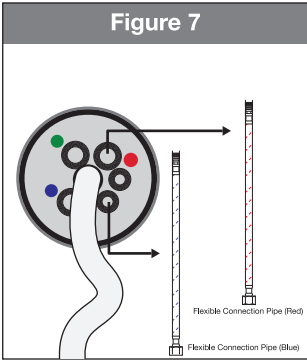


## Part 1: Assemble the boiling water tap

1. Prepare the sink hole (Refer to Boiling Unit User Manual, Pg 3).
2. Assemble the Metal and Rubber Washer (D) as shown in Figure 1.
3. Attach the whole set of washer to the sink hole.
4. Remove Plastic Ring (F1) and Nut (F2) from Tap-out Screw (F, with GREEN marking), as shown in Figure 2.
5. Prepare the tube for Tap-out Screw: Cut the plastic tube to the necessary length. Assemble the plastic ring (F1) and nut (F2) to the plastic tube as indicated in Figure 3. Make sure the direction of plastic ring (F1) insertion is correct.
6. Remove the Lock Nut (E1) from Tap-in Screw (E, with BLUE marking) as shown in Figure 4.
7. Attach the U-shaped Rubber Fixing Tap (B), follow by the U-shaped Metal fixing Tap (C) to the Tap-in Screw (E) as shown in Figure 5. Screw the Lock Nut (E1) after fixing the U-shaped Metal Fixing Tap (C).

8. Prepare the tube for Tap-in Screw: Cut the plastic tube to the necessary length. Assemble the plastic ring (E1) and nut (E3) to the plastic tube as indicated in Figure 3. Make sure the direction of plastic ring (E2) is correct.
9. Screw the completed connections in step 5 to the Tap-out Screw, then screw the Tap-out Screw completed with Tap-out Tube to the tap as shown in Figure 6.
10. Connect the Flexible Connection Pipe (G1, RED stripe for domestic hot water) to the tap as shown in Figure 7.
11. Connect the Flexible Connection Pipe (G2, BLUE stripe for domestic cold water) to the tap as shown in Figure 7.
12. Sit the whole unit of semi-assembled boiling water tap (H) with Tap-out Screw (F, connected with plastic tube), Flexible Connection Pipes (H1 and H2) on the washer (D) and the sink hole (Maximum diameter 35mm) as shown in Figure 8.
13. Attach the Triangle Support Ring (I) to the boiling water tap unit as shown in Figure 19. It should sit below the sink top or worktop.
14. Screw the completed connections in step 8 to the Tap-in Screw as shown in Figure 10.
15. Screw and tighten the Tap-in Screw completed with Tap-in Tube from step 13 to the tap as shown in Figure 11.
16. Adjust the position of the tap, tighten the Lock Nut to fix the position.
17. Connect the other end of the Flexible Connection Pipe (H1, RED stripe for domestic hot water) to domestic hot water supply. (See Part 2 for washing water-saving plumbing connection)
18. Connect the other end of the Flexible Connection Pipe (H2, RED stripe for domestic cold water) to domestic cold water supply. (See Part 2 for washing water-saving plumbing connection)
19. The boiling water tap is now ready for connection to the appliance.





step 8

## HOW TO USE

The boiling water tap comes with four (4) water outputs:

- a) Filtered Ambient Water
- b) Filtered Boiling Water
- c) Domestic Cold Water
- d) Domestic Hot Water

### Filtered Ambient Water

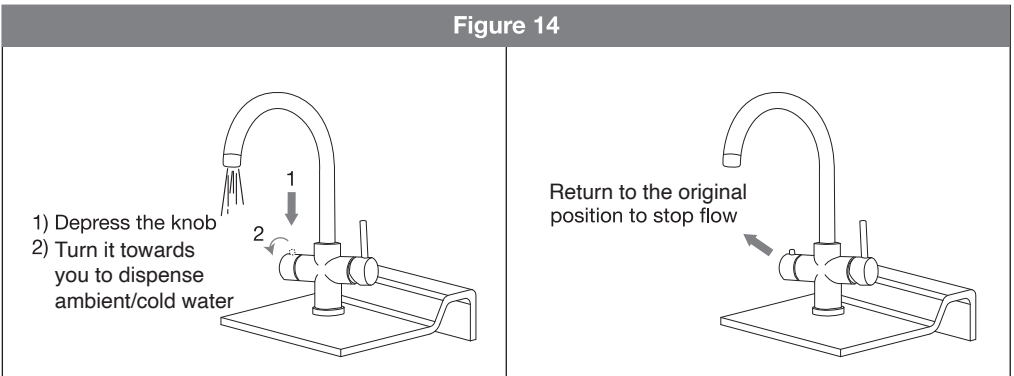
At this setting, lightly warm water will be dispensed due to the heat transferred from the heater and this is normal.

Turn on the filtered ambient water supply by depressing the knob (located on your left) and turn towards you. Water will begin to flow from the faucet.

Return the lever to its original position to stop the flow. Refer to Figure 14.

Before using filtered ambient water, let the water flush out for 5 seconds each time.

Figure 14



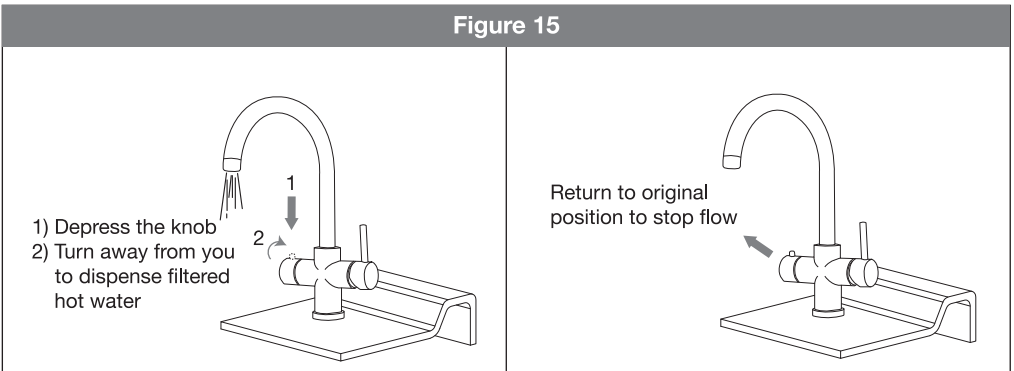
### Filtered Boiling Water

At this setting, filtered boiling water will be dispensed. As a safety measure, it comes with a Child-lock Control to prevent accidental burns.

Turn on the filtered boiling water supply by depressing the knob (located on your left), turning it away from you and holding it. Boiling water will begin to flow from the faucet.

Release the knob; it will return to its original position to stop the flow. Refer to Figure 15.

Figure 15



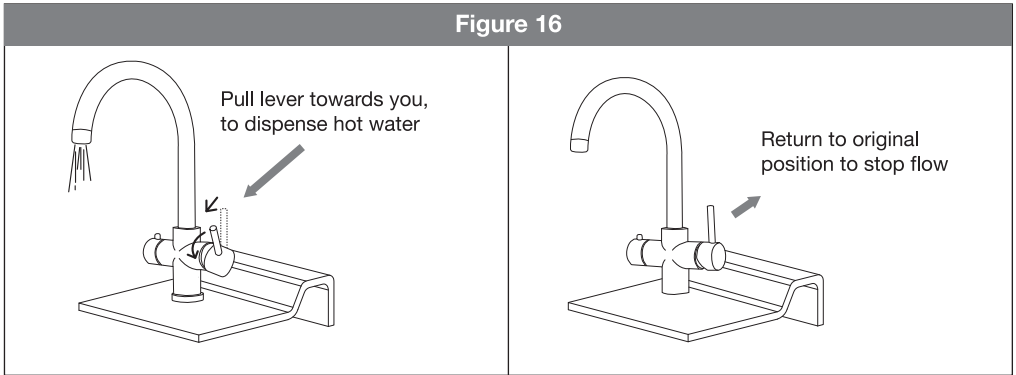
## Domestic Hot Water

This setting will provide hot water from the main supply.

Turn on the mains hot water supply by pushing the right lever outward, then move the lever towards you. Hot water will be dispensed.

Return the lever to its original position to stop the flow. Refer to Figure 16.

Figure 16



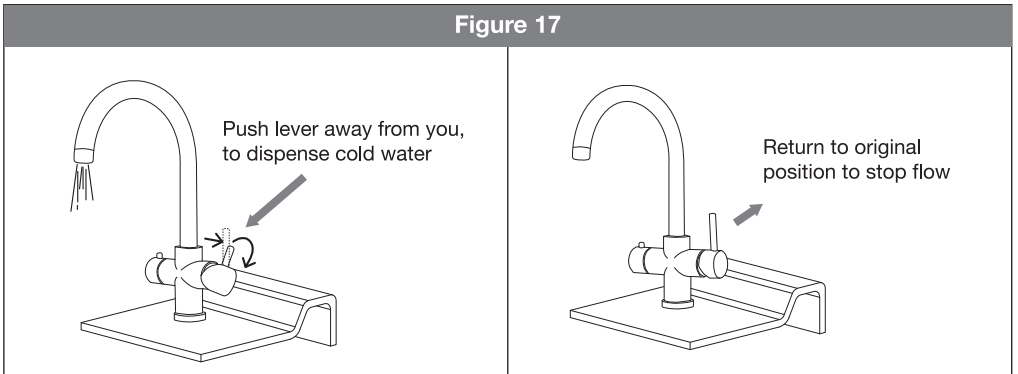
## Domestic Cold Water

This setting will provide cold water from the main supply.

Turn on the domestic cold water supply by pushing the right lever outward, then move the lever away from you. Ambient water will be dispensed.

Return the lever to its original position to stop the flow. Refer to Figure 17.

Figure 17





©2024

**INTRIX®**

**One Tap**

Instant Boiling Water Tap



Scan Here  
for User Manual